

Technical Bulletin

Bulletin Number: 506 Revision Number: _____

Release Date: February 3, 1998 Revision Date: _____

SUBJECT: CASH BOX DEFLECTION KIT

MODELS AFFECTED: All models with the 432,051,80x.x3 Cash Box

REASON: To provide a field kit for venders to reduce the potential for coins to miss the cash box.

ORDER: 1 – 609,010,000.04 Cash Box Deflection Kit
Includes: 2 – 901,100,530.01 1/8" Pop Rivet, Aluminum

TO INSTALL:

1. Rivet cash box deflector to cash box using existing holes as shown in figures 1 and 2 below.

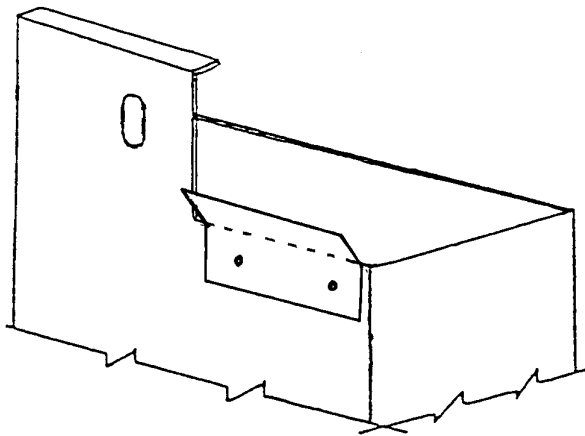


FIGURE 1

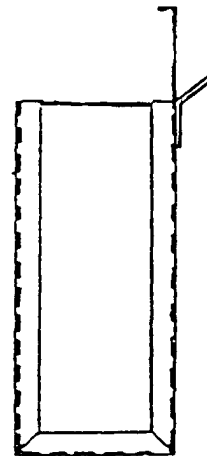


FIGURE 2